



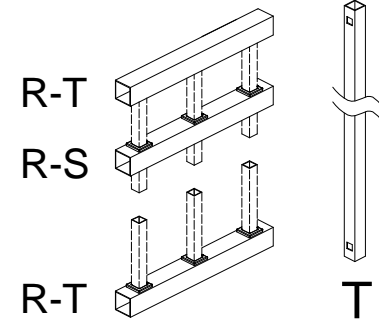
Autodesk Installation Steps

BT → CT

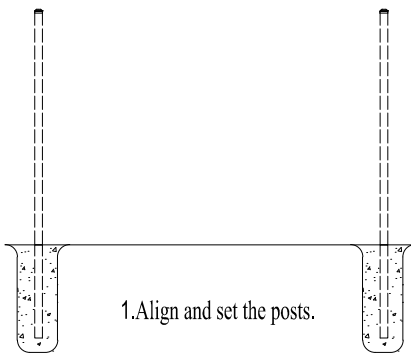
B 3-Rail

T Flat Top/Flat Bottom-Vail

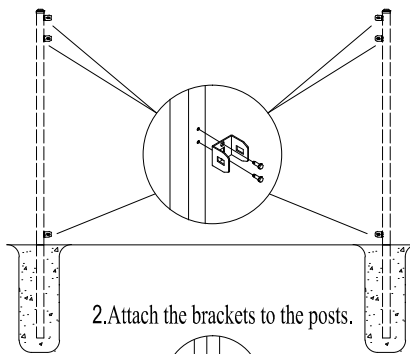
C 3-Rail w/Top Ring



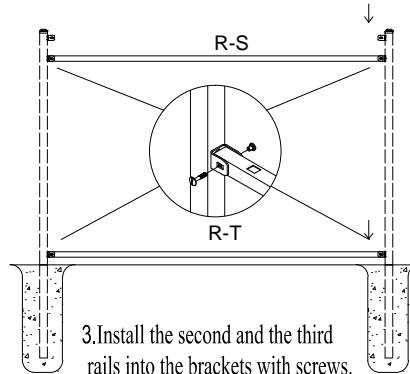
R-T: One-side-holes rail
R-S: Through-holes rail



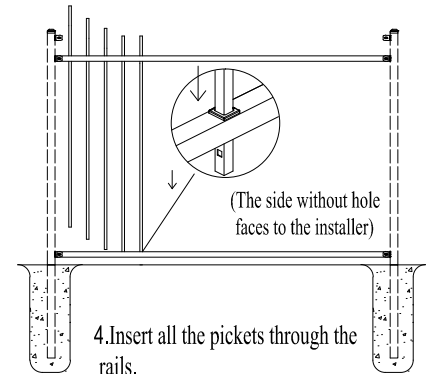
1. Align and set the posts.



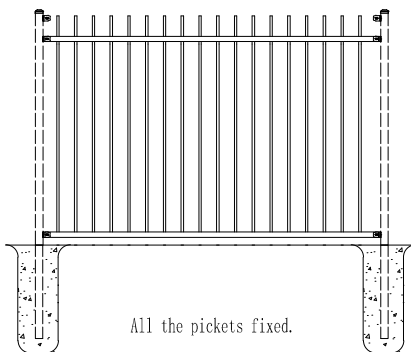
2. Attach the brackets to the posts.



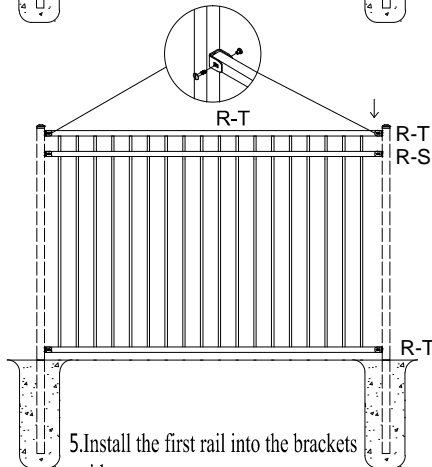
3. Install the second and the third rails into the brackets with screws.



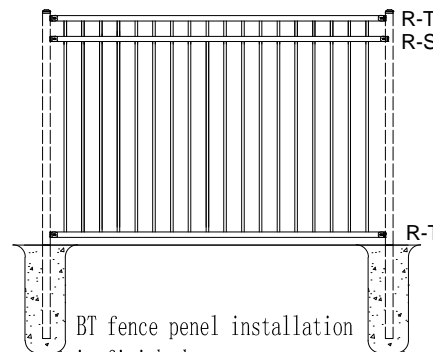
4. Insert all the pickets through the rails.



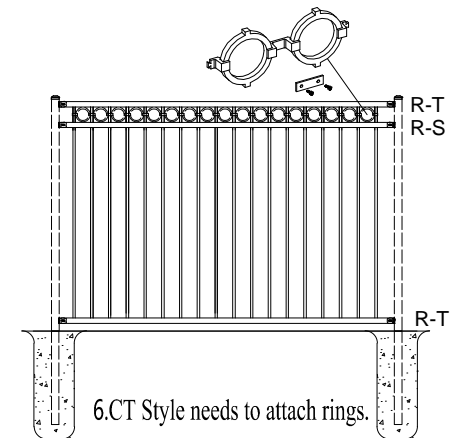
All the pickets fixed.



5. Install the first rail into the brackets with screws.



BT fence panel installation is finished.



6. CT Style needs to attach rings.

BT → CT